



AG POLY FENDERS

PROTECT YOUR VEHICLE - FIT FENDERS THAT SAVE MONEY



**MILLIONS OF
FENDERS SOLD
& COUNTING**

TRACTOR FRONT FENDERS



Your vehicle costs a lot of money - Protect your investment – Fit fenders that:

- Help stop stones, debris and mud from flying up and smashing your windshield / cab
- Help you comply with any regulations regarding covering of wheels while on the road
- Help prevent costly claims against you for stone damage to other road users
- Improve the safety of other road users
- Won't rust
- Save you money and downtime!
- Proven in various climates
- Made from PP/EDPM

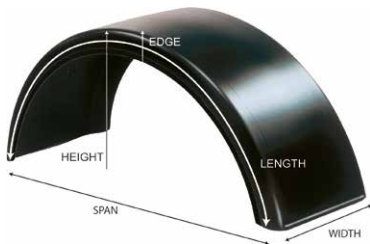


	Width	Length	Span	Edge	TIRES
E2100	7 ½"	27 ½"	24"	1 ½"	4.00-15, 5.00-15, 4.50-16, 5.00-16, 5.50-16, 6.00-16, 4.00-19, 4.50-19, 6.00-19
E2130	13"	33 ½"	30"	2"	
E2300	9"	32"	30"	1 ½"	7.50-16, 6.50-16, 7.00-16, 7.50-16, 7.50-18, 6.00-20, 6.50-20, 7.3-24
E2400	9 ½"	36 ½"	31"	1 ½"	6.50-20, 7.50-20, 8.00-20, 7.3-24
E2500	12"	42"	38 ½"	2"	9.00-16, 10.00-16, 10.5-18, 10.5-20, 11.2-20, 275/80-R20, 11.2-24, 11.2-28, 12.5/80-18, 275/80-R18
E2700	14"	43"	39 ½"	2"	11.00-16, 12.5-18, 335/80-R18, 11.4-20, 12.5-20, 335/80-R20, 12.4-24, 320/70-R24, 360/70-R24
E2930	16"	55"	49"	2"	405/70-R20, 14.9-24, 380/70-R24, 14.9-26, 13.6-28, 14.9-28, 380/70-R28
E3000	16"	49"	44 ½"	2"	-
E3100	18 ½"	55"	47"	2"	480/70R28, 16.9R28, 480/70R24, 420/85R24, 480/70R34, 16.9R34
E3400	20 ½"	61"	56"	2"	560/60R22.5
E3500	18 ½"	55"	50 ½"	2"	425/75-20, 16.9-24, 420/70-R20, 16.9-26, 14.9-26, 14.9-28, 11.2-32
E3800	24 ½"	62"	54 ½"	2 ½"	-
E6200	16"	49"	42"	2"	14.5-20, 375/75R20, 405/70R20, 13.6-24, 14.9-24, 360/70R24, 380/70R24

All dimensions are nominal

AG RANGE

- Reduces stone and debris chips
- Prevents broken windows and mirrors
- Lowers third party (public) liability
- Increased productivity, less cleaning required
- Fast and simple removal for servicing
- Will not rust, non-corrosive



Matt finish ■ Premium quality - 1/8" wall thickness ■ Proven in various climates (-40 °F / +176 °F) ■ Easy to install ■ Black edge on both sides ■ Strong and durable ■ Fully recyclable, chemical resistant, UV-stabilised poly.

MATT FINISH

	Width	Length	Span	Edge	TIRES
HL14	12"	42"	38 1/2"	1 3/4"	9.00-16, 10.00-16, 10.5-18, 10.5-20, 11.2-20, 275/80-R20, 11.2-24, 11.2-28, 12.5/80-18, 275/80-R18
HL15	13 3/4"	42 1/2"	38"	1 3/4"	11.00-16, 12.5-18, 335/80-R18, 11.4-20, 12.5-20, 335/80-R20, 12.4-24, 320/70-R24, 360/70-R24
HL16	16 1/2"	55"	48"	1 3/4"	405/70-R20, 14.9-24, 380/70-R24, 14.9-26, 13.6-28, 14.9-28, 380/70-R28
HL18	16 1/2"	49 1/4"	43"	1 3/4"	-
HL19	18 1/2"	55"	48 3/4"	1 3/4"	425/75-20, 16.9-24, 420/70-R20, 16.9-26, 14.9-28, 11.2-32
HL20	26 3/4"	62 1/4"	54 3/4"	2 1/2"	-
HL32	18"	51 1/4"	44 1/2"	1 3/4"	480/70R28, 16.9R28, 480/70R24, 420/85R24, 480/70R34, 16.9R34

Gloss finish ■ Lightweight ■ Easy to install ■ Proven in various climates (-40 °F / +176 °F) ■ Flexible ■ Fully recyclable, chemical resistant, UV-stabilised poly ■ Packed in pairs in a protective poly bag.

GLOSS FINISH

	Width	Length	Span	Height	Edge	TIRES
JS11	10 1/2"	23 1/2"	23"	-	-	7.00-16, 8.5R22.5, 8.25-15, 7.50-15
JS19	14"	28 1/2"	27"	-	-	10.00-20, 10.00R20, 11.00R20, 12.00R20, 10R22.5, 11R22.5, 12R22.5, 315/75R22.5, 315/80R22.5
JS26	16 1/2"	45"	40 1/2"	-	-	15R22.5, 11.00R20, 12R22.5, 12R20, 13R20
JS31	18"	42"	37 1/2"	-	-	16.5R19.5, 15R22.5, 15/80R22.5, 16.5R22.5
J01SE	9"	47 1/2"	29 1/2"	15 1/2"	2"	155R13, 165R13, 175R13, 185/70R13, 165/70R14, 185/65R14, 195/70R14, 205/70R14
J06C	10 1/2"	63"	37 1/2"	21"	2 1/2"	7.5R15, 195R16, 7.5R16, 250R16, 205/80R16, 215R16
J22A	17"	56 1/2"	34 1/2"	19"	3"	7.50R14, 185R15, 175R16, 175/75R16, 185/75R16, 6.70R15, 185R14, 355/4SR17.5

All dimensions are nominal / More sizes available - see www.jonesco-plastics.com

UTILITY / HORSE BOX FENDERS



J01SE + JW2483


Flat side to allow fitting directly onto the vehicle body.

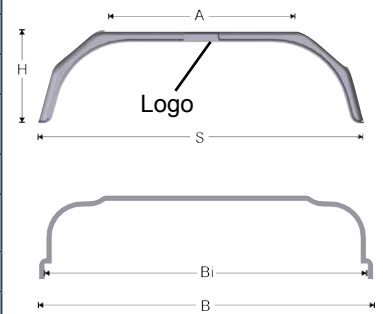


JW21150

With 4 integrated flat fixing points to fit directly to the vehicle. Logo service available.



	(Bi)	(B)	(A)	(S)	(H)	
Single						
J01	8"	8 ½"	-	32 ½"	18"	175 x 14, 194 x 14, 6.70 x 14
J01SE	9"	9"	-	29"	15"	155R13, 165R13, 175R13, 185/70R13, 165/70R14, 185/65R14, 195/70R14, 205/70R14
Tandem						
JT1864	7"	7 ½"	25"	48"	10"	145R10, 155/80R10, 125R12, 135R12, 14/70R12, 155/70R12
JT1878	7"	7 ½"	31"	59"	18"	165R10, 175R14, 175R15, 155R13
JW21150	8 ½"	9"	26"	59"	17"	165R10, 175R15, 175R13, 155R13
JT2082	8"	8 ½"	32 ½"	60 ½"	18"	6.70R13, 165R14, 175R15, 195R14
JT2086	8"	8 ½"	34"	69"	21"	6.70R15, 6.00R16, 6.50R16, 175R16, 185R15, 195R16, 205R16
JW2483	10"	10 ½"	32 ½"	62 ½"	15"	6.70R15, 6.00R16, 6.50R16, 175R16, 185R15, 195R16, 205R16



Contact Name

sales@jonesco-plastics.com
www.jonescousa.com

