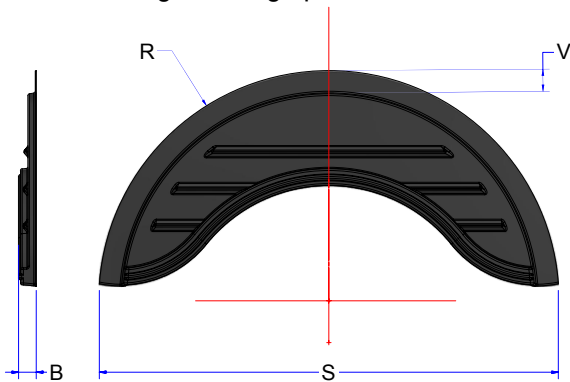






## FENDER INFILL PANELS

- Streamlines airflow, saving fuel
- Reduces spray, improving visibility
- Keeps vehicles cleaner
- Easy to retrofit or reuse
- Lightweight
- Non-rusting
- Highly durable, takes knocks without damage
- Excellent properties of stiffness
- Proven in hot and cold climates
- Fully recyclable, chemical resistant, UV-stabilised high density poly
- Promotes road safety and lowers third party (public) liability
- Black coated Dzus quarter turn fasteners are ideal fixings for rapid removal. Fitting Kit **KITDZUS**: 8 Dzus fasteners, 8 receptacles, 16 washers and 16 pop rivets
- Visit [www.nationalfleetproducts.com](http://www.nationalfleetproducts.com) for fitting instructions
- Can also be fitted with inexpensive nuts and bolts or pop rivets
- Laser engraved logo plate available



	(B) "	(R) "	(S) "	(V) "		
FIP1250	2	24 ½	49	2 ½	KITDZUS	JX39, JX43A, JC45A

